



Main Features:-

- ◆ Full Bore Ball Valve
- ◆ DN10 to DN50 PN25
- ◆ BSP M-F Ends
- ◆ Working Temperature -20°C to 110°C *
- ◆ Maximum working pressure 25 bar

*Temperature and pressure determined by valve body, seat etc.



Suitable Applications & Approvals:



HVAC



OIL



GAS



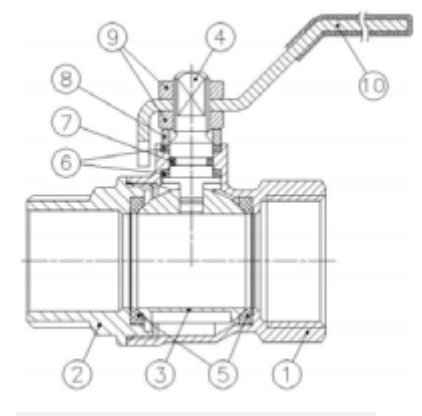
INDUSTRY

SERIES: 80055

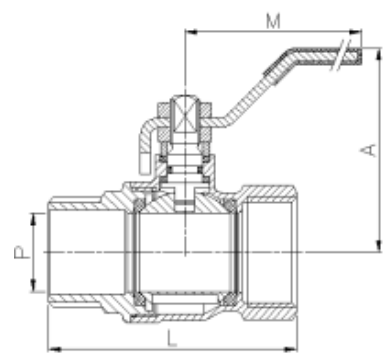
MANUFACTURER: **GENEBRE**

VALVE MATERIALS & DIMENSIONS

ITEM	SECTION	MATERIAL	ADDITIONAL INFO / OPTIONS
1	Body	Brass	Peened + Chromed
2	Cap	Brass	Peened + Chromed
3	Ball	Brass	Chrome Plated
4	Stem	Brass	Chrome Plated
5	Ball Seat	PTFE	n/a
6	Stem Packing	PTFE	n/a
7	O'Ring	NBR	n/a
8	Stem Ring	Brass	Chrome Plated
9	Nut	Brass	Chrome Plated
10	Handle	Steel	n/a



REF	SIZE	DN	P	A	L	M	Kg
80055-02	1/4"	10	10	46	48	84	0.115
80055-03	3/8"	10	10	46	49	84	0.120
80055-04	1/2"	15	15	47	55	84	0.170
80055-05	3/4"	20	20	58	64	98	0.2745
80055-06	1"	25	25	61	76	98	0.410
80055-07	1 1/4"	32	32	74	87	126	0.650
80055-08	1 1/2"	40	40	80	95	126	0.875
80055-09	2"	50	50	91	109	158	1.370



T +44 (0)1386 552369

E sales@allvalves.co.uk

W www.allvalves.co.uk

F +44 (0)1386 554227



Genebre are a global brand of industrial valves with large stocks held for fast delivery on various type of valves, sizes, end connections and materials.

SERIES: 80055

TORQUE / Kv VALUES / PRESSURE & TEMP CHART

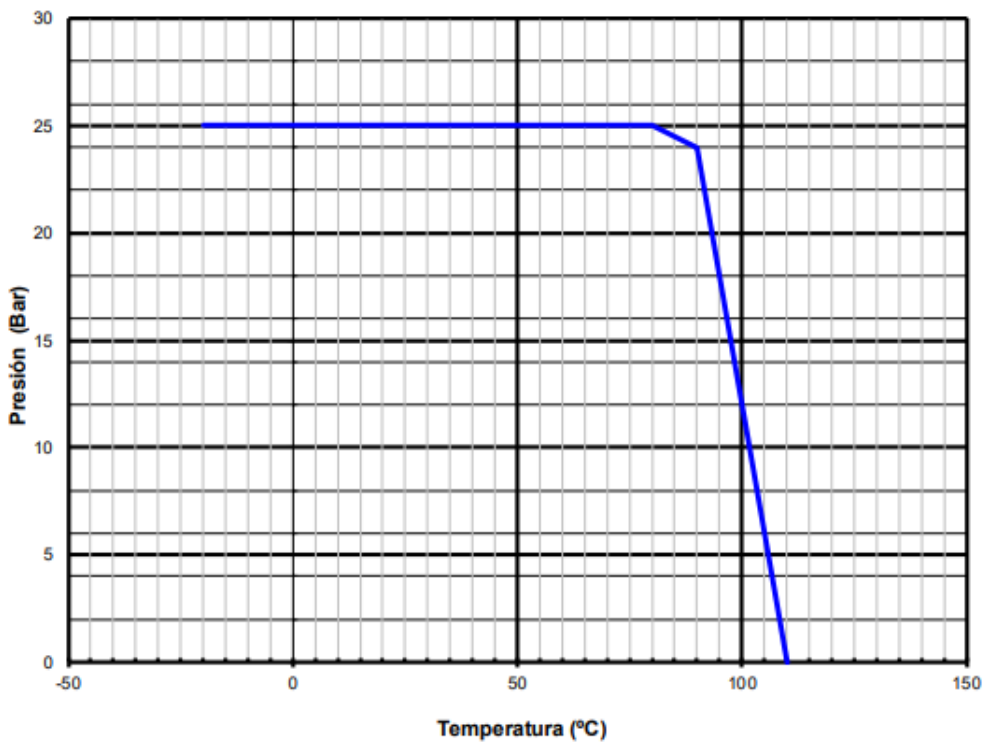
REF	SIZE	TORQUE Nm	REF	SIZE	Kv
80055-02	1/4"	N/A	80055-02	1/4"	3.5
80055-03	3/8"	N/A	80055-03	3/8"	5.5
80055-04	1/2"	N/A	80055-04	1/2"	16
80055-05	3/4"	N/A	80055-05	3/4"	30
80055-06	1"	N/A	80055-06	1"	45
80055-07	1 1/4"	N/A	80055-07	1 1/4"	70
80055-08	1 1/2"	N/A	80055-08	1 1/2"	115
80055-09	2"	N/A	80055-09	2"	210

- The liquid listed in the table are initial breakaway torques, taken with liquids and lubricant media.

- Please regard these as approximate values, as the objective value on different factors like pressure, medium, rubber

PRESSURE AND TEMPERATURE CHART

GENEBRE



Genebre is a leading company and world reference in fluid control and high-quality taps. They control all the creation processes, responding to the specific needs of each market: from the initial concept and design of the product to the production and commercialization.



T +44 (0)1386 552369

E sales@allvalves.co.uk

W www.allvalves.co.uk

F +44 (0)1386 554227